

PRODUCT DATA SHEET

SikaRoof® Anchor W PVC-230

Prefabricated universal roof connection point

PRODUCT DESCRIPTION

SikaRoof® Anchor W PVC-230 is a manufactured pre-formed accessory providing a secure watertight connection directly between the roof substructure/roof deck and waterproofing membrane.

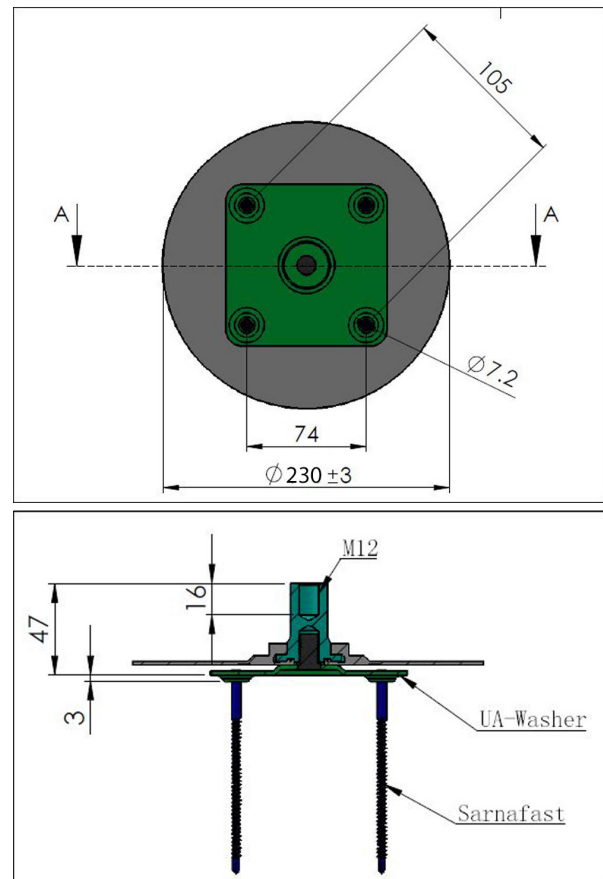
USES

SikaRoof® Anchor W PVC-230 may only be used by experienced professionals.

- Universal connection point for fixing roof mounted products to exposed Sarnafil® PVC and Sikaplan® PVC roofing membranes.

CHARACTERISTICS / ADVANTAGES

- Provides a secure watertight anchor to the roof deck
- Resistant to UV exposure
- Heat weldable
- Adaptable for different substrates and mounting requirements
- Removes the wind load off the membrane and on to the structural deck



PRODUCT INFORMATION

| | |
|----------------------------|--|
| Chemical Base | Injected, modified polyvinyl chloride (PVC) compound / machined stainless steel grade 316. Washer made of galvanized carbon steel. |
| Packaging | Pre-assembled unit (PVC part is already assembled / sealed to the washer). Sarnafast fasteners not included (refer to System Structure). Refer to current price list for packaging variations. |
| Shelf Life | 5 years from date of production. |
| Storage Conditions | The product must be stored in original, unopened and undamaged sealed packaging in dry conditions at temperatures between +5 °C and +30 °C. Always refer to packaging. |
| Appearance / Colour | White and light grey stainless steel |
| Width | |
| Diameter | 230 mm ± 3 mm |
| Height | 50 mm (±1 mm) |

SYSTEM INFORMATION

| System Structure | <p>Thermal insulation</p> <ul style="list-style-type: none">The compressive strength must be sufficient to carry the additional long-term load of the connection point. <p>Membrane</p> <ul style="list-style-type: none">All types of exposed Sarnafil® PVC and Sikaplan® PVC membranes. <p>Fasteners</p> <ul style="list-style-type: none">Sarnafast fastener with a minimum diameter of 6,0 mm. <p>Important: Roof slope maximum 10°</p> <p>Important: For projects with roof slopes above 10°, a suitably qualified structural engineer must be responsible for the determination of the maximum admissible load.</p> <table><thead><tr><th>Number of fasteners</th><th>Admissible (design) load for the resistance to wind uplift*</th><th>(EN 16002)</th></tr></thead><tbody><tr><td>4</td><td>1600 N</td><td></td></tr><tr><td>2</td><td>800 N</td><td></td></tr></tbody></table> <p>* Loading information supplied by fastener supplier</p> | Number of fasteners | Admissible (design) load for the resistance to wind uplift* | (EN 16002) | 4 | 1600 N | | 2 | 800 N | |
|-------------------------|--|---------------------|---|------------|---|--------|--|---|-------|--|
| Number of fasteners | Admissible (design) load for the resistance to wind uplift* | (EN 16002) | | | | | | | | |
| 4 | 1600 N | | | | | | | | | |
| 2 | 800 N | | | | | | | | | |
| Compatibility | <p>Fixing substrates</p> <ul style="list-style-type: none">ConcreteMetal deckingPlywood / OSB | | | | | | | | | |

APPLICATION INFORMATION

| | |
|--------------------------------|---------------------------|
| Ambient Air Temperature | -20 °C min. / +60 °C max. |
| Substrate Temperature | -30 °C min. / +60 °C max. |

VALUE BASE

All technical data stated in this Data Sheet are based on laboratory tests. Actual measured data may vary due to circumstances beyond our control.

LIMITATIONS

Installation work must only be carried out by Sika®

trained and approved contractors, experienced in this type of application.

- A suitably qualified structural engineer must be responsible for verification of ultimate limit state and serviceability limit state.
- Installation of ancillary products, e.g. contact adhesives / cleaners is limited to temperatures above +5 °C. Refer to relevant Product Data Sheets for further information.

ECOLOGY, HEALTH AND SAFETY

Fresh air ventilation must be ensured, when working (welding) in closed rooms.

REGULATION (EC) NO 1907/2006 - REACH

REGULATION (EC) NO 1907/2006 - REACH: This product is an article as defined in article 3 of regulation (EC) No 1907/2006 (REACH). It contains no substances which are intended to be released from the article under normal or reasonably foreseeable conditions of use. A safety data sheet following article 31 of the same regulation is not needed to bring the product to the market, to transport or to use it. For safe use follow the instructions given in this product data sheet. Based on our current knowledge, this product does not contain SVHC (substances of very high concern) as listed in Annex XIV of the REACH regulation or on the candidate list published by the European Chemicals Agency in concentrations above 0.1 % (w/w).

APPLICATION INSTRUCTIONS

APPLICATION

Installation procedure

Important: Check the suitability of an M12 threaded steel section to prevent the risk of bimetallic corrosion.

Important: Before installing SikaRoof® Anchor W PVC-230, make sure the roof drainage characteristics will be unaffected.

Important: Carry out preliminary pull-out tests to check the fastener installation.

Requirement: Use electric hot-air welding equipment such as manual hot-air welding guns (Leister) and pressure rollers in accordance with the relevant Sika application manual.

1. Clean the Sarnafil® PVC or Sikaplan® PVC membrane around installation area.
2. Fix the SikaRoof® Anchor W PVC-230 to the substrate with appropriate fasteners and weld the edge of the SikaRoof® Anchor W PVC-230 PVC base plate to the waterproofing membrane.

LOCAL RESTRICTIONS

Note that as a result of specific local regulations the declared data and recommended uses for this product may vary from country to country. Consult the local Product Data Sheet for the exact product data and uses.

SIKA IRELAND LIMITED

Ballymun Industrial Estate
Ballymun
Dublin 11, Ireland
Tel: +353 1 862 0709
Web: www.sika.ie
Twitter: @Sikalreland



Product Data Sheet

SikaRoof® Anchor W PVC-230
December 2022, Version 01.01
020945012100001019

LEGAL NOTES

The information, and, in particular, the recommendations relating to the application and end-use of Sika products, are given in good faith based on Sika's current knowledge and experience of the products when properly stored, handled and applied under normal conditions in accordance with Sika's recommendations. In practice, the differences in materials, substrates and actual site conditions are such that no warranty in respect of merchantability or of fitness for a particular purpose, nor any liability arising out of any legal relationship whatsoever, can be inferred either from this information, or from any written recommendations, or from any other advice offered. The user of the product must test the product's suitability for the intended application and purpose. Sika reserves the right to change the properties of its products. The proprietary rights of third parties must be observed. All orders are accepted subject to our current terms of sale and delivery. Users must always refer to the most recent issue of the local Product Data Sheet for the product concerned, copies of which will be supplied on request.

SikaRoofAnchorWPVC-230-en-IE-(12-2022)-1-1.pdf