



Sika Sarnafil - SIKA SOLARROOF

Sarnafil®



Sika® SolaRoof®

THE WAY TO SAFE AND SUSTAINABLE SOLAR INVESTMENT



SIKA SARNAFIL - CENTROPLAN: PROVIDE A LONG TERM, WORRY FREE SERVICE

Careful choice of the right partners is essential for a profitable and sustainable investment in roof waterproofing and a photovoltaic installation with no unpleasant surprises. The most important selection criteria are extensive experience in roof waterproofing and its professional installation plus proven expertise in photovoltaics.

With over 50 years experience of production and installation of several hundred million square metres around the world, Sika Sarnafil can provide complete reliable solutions for any flat roof.

Centroplan was founded in 2007 and is specialised in medium to large-scale photovoltaic solar power systems for both roof and ground mounted Installations. An experienced team of Engineers and Project Managers in several countries can cover all phases of a photovoltaic project (project concepts and development, design & engineering, procurement & installation, operation & maintenance). By coordinating our partners and other suppliers Centroplan is able to provide the highest photovoltaic system quality from a single source.

The bespoke design for the Sika-SolaRoof provided by Centroplan is based on an engineered mounting concept that is tried and tested: The Sika SolaMount-1, which not only offers a proprietary method of attachment but it can be covered by the Sarnafil guarantee for up to 20 years.

SIKA SOLAROOFF® - THE FULL SYSTEM

20 YEARS PEACE OF MIND SIKA SOLAROOFF®



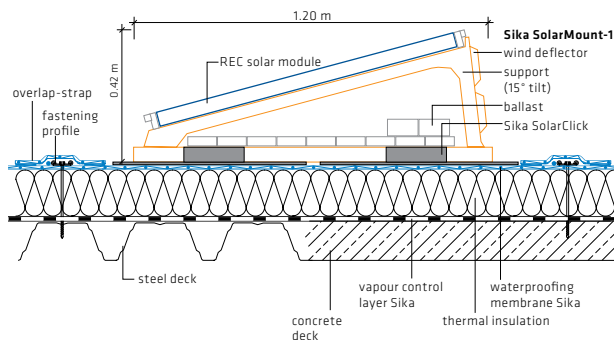
More than 250 MWp of solar systems installed; high competence in planning and implementation



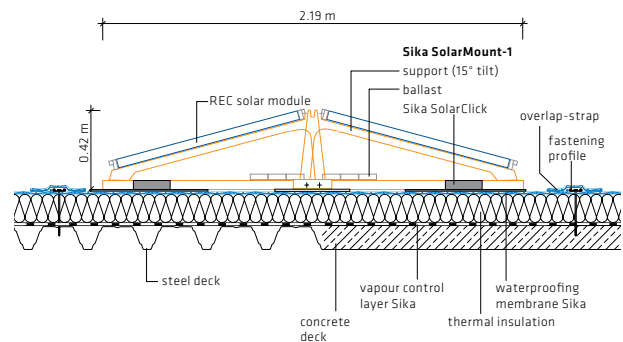
Global market leader of waterproofing membranes for flat roofs

SIKA SOLAROOF® – MOUNTING

SOUTH ORIENTATION



EAST WEST ORIENTATION



SYSTEM DESCRIPTION



Sika® SolarMount-1 is an aerodynamic, lightweight mounting system for the installation of rigid Photovoltaic (PV) panels to flat roofs. The Sika® SolarMount-1 system consists of the following components:

- PV Mount (support, 15° tilt)
- Sika® SolarClick
- Accessories (rails, wind detectors, clamps, screws)

The PV panels and cables are not part of Sika® SolarMount-1. There are Sika® SolarMount-1 variants for 1 to 4 PV panels (1.65 m length), supplied to site according to the specific requirements. Selection is according to the local wind loadings. The Sika® SolarMount-1 system is exclusively distributed by Centroplan GmbH.



SAFE CONNECTION TO THE ROOF WATERPROOFING MEMBRANE

The key component of the Sika® SolarMount-1 is the Sika® SolarClick fastener. It is produced by injection moulding from the same materials as Sika's membranes.

The Sika® SolarClick fasteners are mounted to each support. They provide a significantly enlarged contact area, which is important for uniform load distribution in order to reduce any local compression loads on the thermal insulation. Ponding of water is also reduced.



EASY AND QUICK INSTALLATION

The installation of the Sika® SolarMount-1 system does not require any roof membrane penetrations. The Sika® SolarClick fasteners are welded to the membrane with standard Sika Sarnafil equipment.

There are only a limited number of components to be assembled on site - this allows fast and easy installation. All components are packed on box pallets for reduced logistics.



LOW ADDITIONAL ROOF WEIGHT

Ballasting is possible but not required in every zone on the roof - this makes Sika® SolarMount-1 ideal for lightweight roofs. During the design phase the load capacity for the installation of a PV system always needs to be evaluated by a Structural engineer.

The loading imposed on the roof by Sika® SolarMount-1 is ca. 10-15 kg/m², including a PV panel. Localised loadings can be higher.

This value (averaged over the roof area) is calculated from the addition of the Sika® SolarMount-1 mounting system's own weight, ballasting with paving stones and the PV module's weight, related to the panel row spacing. The distance between rows to avoid shading varies dependent on the geographical latitude, between 1.5 and 2.5 metres.

SIKA SOLAROOF® – ADVANTAGES

| | | | | | | |
|-----------------------------|---------------------|--------------------|----------------------|----------------------|-----------------------------|----------------|
| WARRANTY | NO ROOF PENETRATION | COMPATIBILITY | FOR HEAVY SNOW LOADS | BESPOKE CALCULATIONS | OPTIMUM WEIGHT DISTRIBUTION | LIGHTWEIGHT |
| NO SLIPPING OF SOLAR PANELS | EASY SNOW CLEARANCE | WIND TUNNEL TESTED | QUICK INSTALLATION | EAST-WEST POSSIBLE | TAILORED SERVICE | COST EFFECTIVE |

SIKA FULL RANGE SOLUTIONS FOR CONSTRUCTION:



LIQUID APPLIED ROOFING



SINGLE PLY ROOFING



CONCRETE



CONCRETE REPAIR



STRUCTURAL STRENGTHENING



WATERPROOFING



JOINT SEALING



FAÇADE STRUCTURAL ADHESIVES



FLOORING



INDUSTRY



DISTRIBUTION



BUILDING TRUST

WHO WE ARE

Sika Limited and Sika Ireland Limited are part of the global Sika Group, specialising in the manufacture and supply of chemical based products. Sika have a leading position in the development and production of systems and products for bonding, sealing, damping, reinforcing, and protecting in the building sector and the motor vehicle industry. Sika has subsidiaries in 101 countries around the world and manufactures in over 200 factories. With more than 20,000 employees Sika generates annual sales of CHF 7.09 billion (£5.45bn). We are also committed to providing quality, service, safety and environmental care.

In the UK and Ireland, we provide market-leading solutions for concrete, waterproofing, roofing, flooring, refurbishment, sealing & bonding, and industry, and have manufacturing sites in Welwyn Garden City, Preston, Leeds and Dublin with more than 870 employees and a turnover of more than £260 million.

The information, and, in particular, the recommendations relating to the application and end use of Sika® products, are given in good faith based on Sika's current knowledge and experience of the products when properly stored, handled and applied under normal conditions. In practice, the differences in materials, substrates and actual site conditions are such that no warranty in respect of merchantability or of fitness for a particular purpose, nor any liability arising out of any legal relationship whatsoever, can be inferred either from this information, or from any written recommendations, or from any other advice offered. The proprietary rights of third parties must be observed. Please refer to our homepage www.sika.co.uk for our current standard terms & conditions applicable to all orders. Users should always refer to the most recent issue of the Product Data Sheet for the product concerned, copies of which will be supplied on request.

SPRA

The Single Ply Roofing Association (SPRA) represents membrane manufacturers, associated component manufacturers and specialist sub contractors and aims, through a quality assured partnership, to ensure the delivery of best value single ply roofing systems. By specifying products and specialist installation by SPRA Manufacturer, Associate and Contractor members you can be assured that all parties meet strict quality criteria. Compliance with these criteria and with the Code of Conduct is assessed at application, by annual audit and by random spot checks.

For further information, and to obtain copies of the SPRA Design Guide and other documents, go to www.spra.co.uk or call 0845 154 718.



SIKA LIMITED

Sika Sarnafil
Watchmead
Welwyn Garden City
Hertfordshire, AL7 1BQ
United Kingdom

Contact

Phone +44 1 707 358500
Fax +44 1 707 329129
E-Mail sarnafilroofing@uk.sika.com
www.sarnafil.co.uk
@SikaSarnafilUK

CENTROPLAN GMBH

Am Pannhaus 2-10
52511 Geilenkirchen
Germany
Tel +49 2451-91130-0

SIKA IRELAND LIMITED

Sika House
Ballymun Industrial Estate
Dublin 11
D11 DA2V
Ireland

Contact

Phone +353 1 862 0709
Fax +353 1 862 0707
E-Mail info@ie.sika.com
www.sika.ie
@SikaIreland

Sarnafil®

